



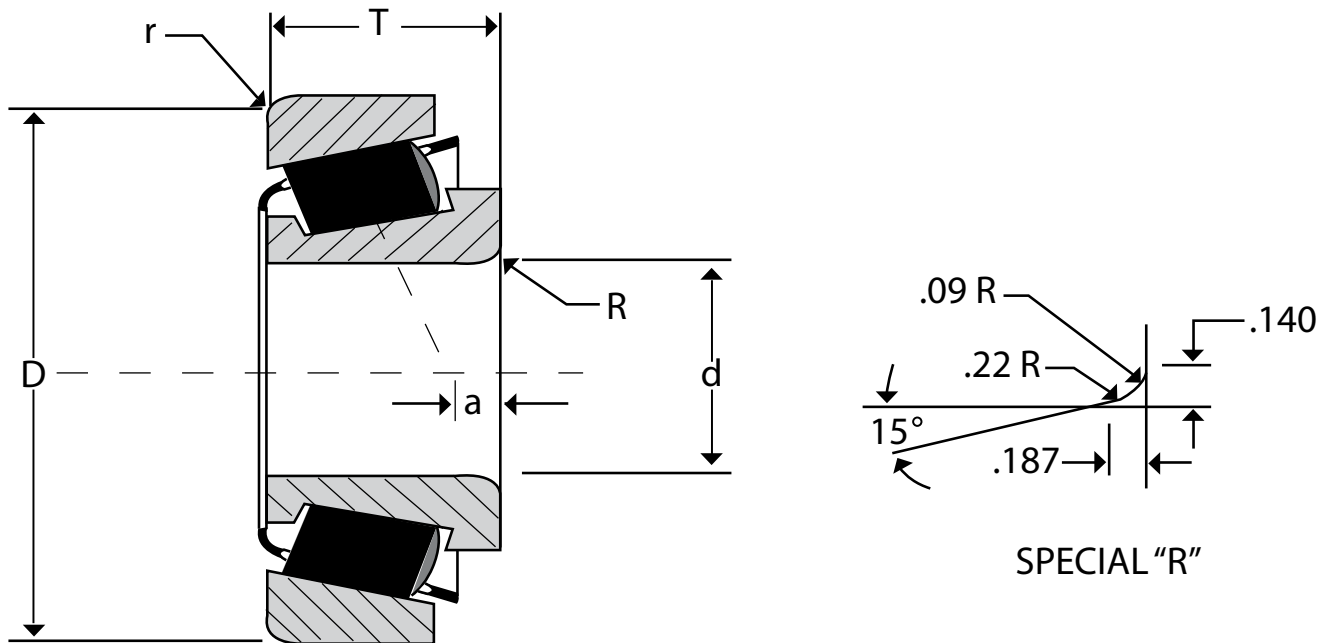
Bearings

Measurement Guide





BEARING SPECIFICATIONS



BEARING NO.		BORE	OUTSIDE DIAMETER	WIDTH	EFF. LOAD CENTER	MINIMUM RADIUS	MINIMUM RADIUS
CONE	CUP	d	D	T	a	R	r
LM11949	LM11910	0.7500	1.7810	0.6100	-0.22	0.05	0.05
L44643	L44610	1.0000	1.9800	0.5600	-0.13	0.05	0.05
L44649	L44610	1.0625	1.9800	0.5600	-0.13	0.14	0.05
LM67048	LM67010	1.2500	2.3280	0.6250	-0.12	SPECIAL	0.05
15123	15245	1.2500	2.4409	0.7150	-0.19	SPECIAL	0.05
14125A	14276	1.2500	2.7170	0.7813	-0.17	0.14	0.05
LM48548	LM48510	1.3750	2.5625	0.7100	-0.14	SPECIAL	0.05
L68149	L68111	1.3775	2.3612	0.6250	-0.10	SPECIAL	0.05
JL69349	JL69310	1.4961	2.4803	0.6693	-0.09	SPECIAL	0.05
25580	25520	1.7500	3.2650	0.9375	-0.25	0.14	0.03

The information contained on this page is intended to aid in identification of available bearings. It is not intended for design purposes.