



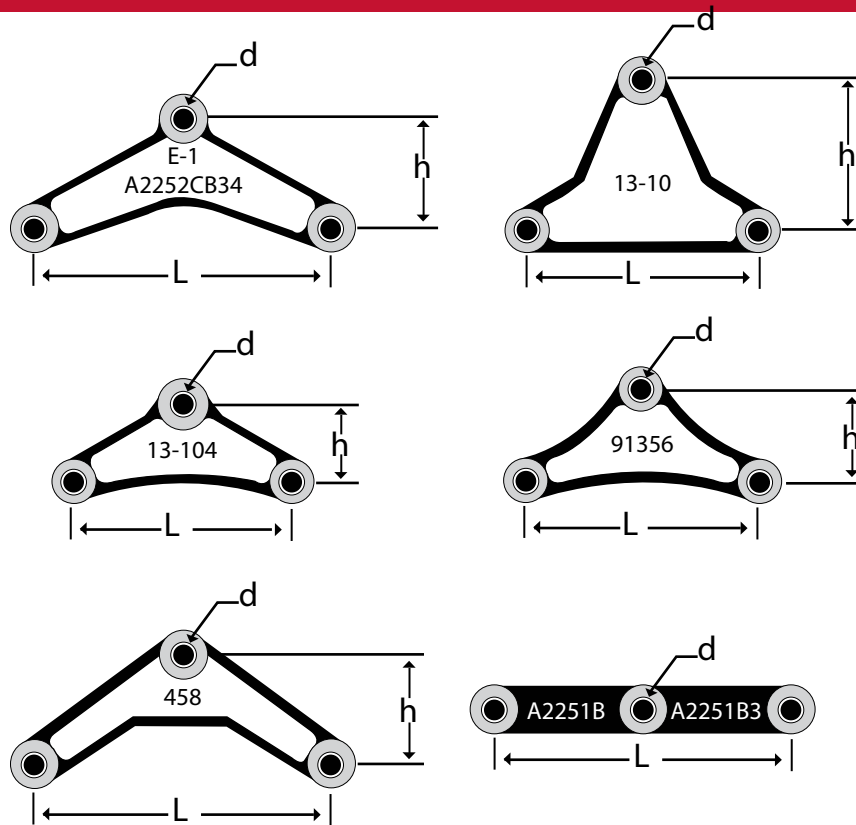
Equalizers

Measurement Guide





EQUALIZER SPECIFICATIONS



PART NO.	LENGTH L	HEIGHT h	BUSHING ID d	BUSHING PART NO.	WEIGHT (LBS)
E-1	7.75	2.88	9/16 (3)	PE-227	2.98
13-10	6.06	4.00	9/16 (3)	PE-227	2.80
13-104	5.70	2.03	9/16 (3)	PE-227	1.78
91356 (EQ-356)	6.13	2.44	9/16 (3)	PE-227	2.50
A2251B	8.00	0.00	9/16 (3)	PE-227	2.52
A2251B3	8.00	0.00	9/16 (2)	PE-227	3.31
A2252CB34	7.75	2.88	3/4 (1)	722109	3.10
			9/16 (2)	PE-227	
			3/4 (1)	722109	
458 (220AIT3B)	6.25	2.03	9/16 (2)	PE-227	2.54
			3/4 (1)	722109	

The information contained on this page is intended to aid in identification of available equalizers. It is not intended for design purposes.