

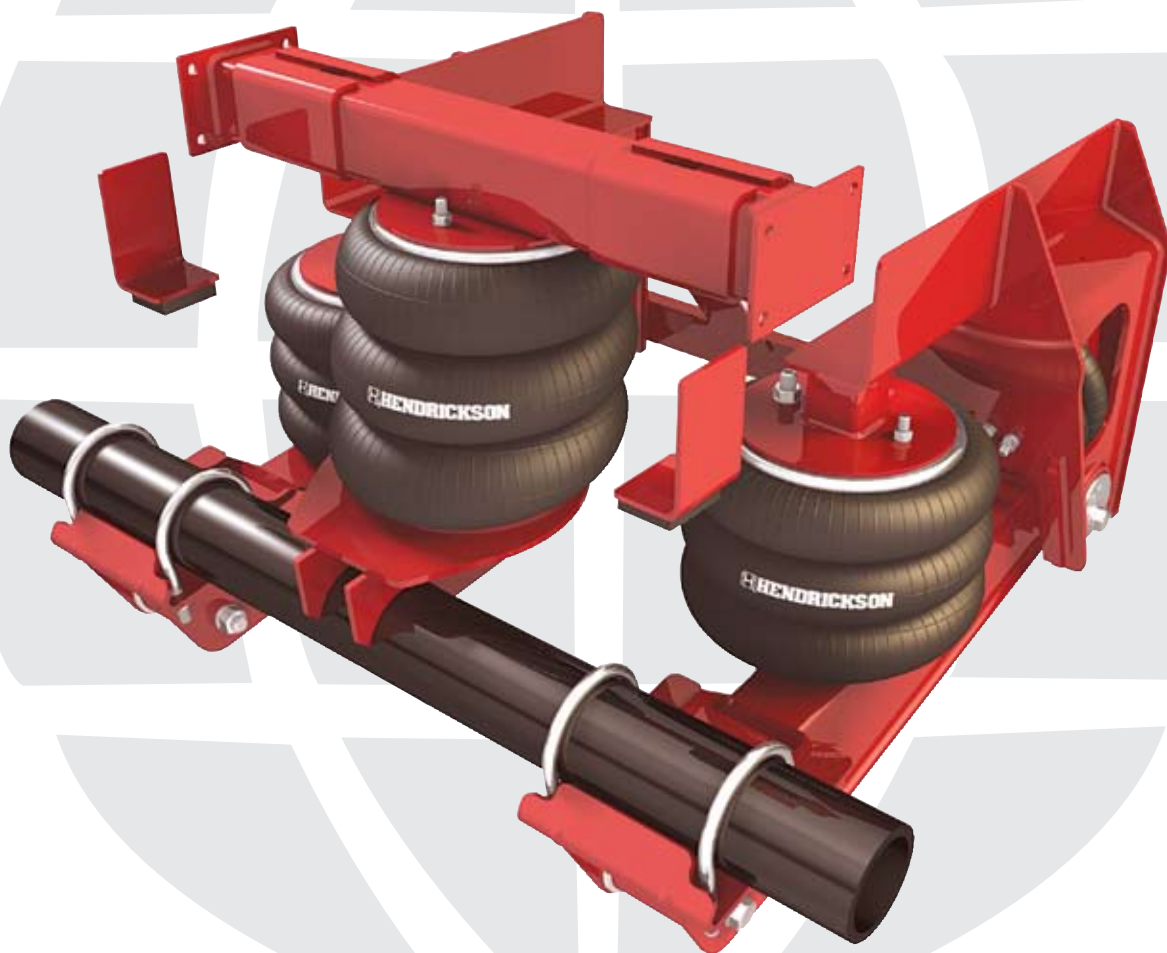
Universal Group®






The Universal Group Corp 1025 Thomas Busch Memorial Highway  Pennsauken, New Jersey 08110

1120 Eden Road, Suite 100  Arlington, Texas 76001

Hendrickson Auxiliary



NJ Phone: (800) 225-1845  (856) 488-1800  NJ Fax: (800) 360-9636

 TX Phone: (800) 637-4422


Hendrickson Auxiliary Parts

HT-A6914	HT-S2770	HT-S20701
Pivot Bushing Kit, Welded Alignment	Alignment Collar, Welded Alignment	Axle Spacer
 <p data-bbox="243 756 422 829">Flagg HT207 Dayton Parts 334-658 Automann TRK5912</p>	 <p data-bbox="690 756 868 829">Flagg HT208 Dayton Parts 334-822 Automann M10010</p>	 <p data-bbox="1169 756 1347 829">Flagg HT213, Dayton Parts 334-1137 Automann M14716</p>

HT-S20924	HT-S20925	HT-S21099
Inner Washer, Flanged	Eccentric Washer, Flanged	Bushing Tube Spacer
 <p data-bbox="243 1302 430 1375">Flagg HT244 Dayton Parts 334-1574 Automann MHS97</p>	 <p data-bbox="690 1302 876 1375">Flagg HT243 Dayton Parts 334-1573 Automann MHS99</p>	 <p data-bbox="1169 1302 1347 1375">Flagg HT212 Dayton Parts 334-898 Automann M14713</p>

HT-001347	HT-002006-1(LH) HT-002006-2(RH)	HT-002237
Air Spring	Z Beam Assembly	Service Kit, Para-Lift Bushing
	 <p data-bbox="665 1858 933 1932">Flagg HTS108, HTS109 Dayton Parts 338-1969, 338-1970 Automann MHT462, MHT464</p>	 <p data-bbox="1177 1858 1364 1932">Flagg HTS100 Dayton Parts 334-1588 Automann MHS446</p>

<p>HT-003200 King Pin</p>  <p>Flagg HTS105 Dayton Parts 300-101A Automann 460.456BI</p>	<p>HT-003270 King Pin Bushing Kit</p>  <p>Flagg HTS101 Dayton 300-101</p>	<p>HT-004645 Air Spring</p> 
---	---	--

<p>HT-005079 Air Spring</p> 	<p>HT-A14488 Pivot Bolt Kit</p>  <p>Dayton Parts 344-1862, Automann BKF780712S</p>	<p>HT-A14496 Steerable Lift Axle Shock</p>  <p>Flagg M66502</p>
--	--	---

<p>HT-004672-1 HT-004672-2 HLR2 Beam Assembly</p> 	<p>HT-004689 HLR2 Pivot Bolt Kit</p> 	<p>HT-007668 Replacement Axle Seat Bolt Kit</p> 
---	--	--

HT-A14506

Plastic Line- 5" Long



Automann DLS780500

HT-B14495

Wear Washer



Flagg HTS110
Dayton Parts 334-1589
Automann MHS466

HT-HAC-SSI

Steerable Air Control inside cab



HT-HAC-NSI

Non-Steerable Air Control inside cab

NO PICTURE AVAILABLE
AT THIS TIME

HT-R004665-1
HT-R004665-2

HLR2 Hanger Bracket Assembly



HT-R004933

Z Beam Assembly



(Automann MHT4933)