

1025 Busch Highway 🌐 Pennsauken, New Jersey 08110

1120 Eden Road, Suite 100 🌐 Arlington, Texas 76001



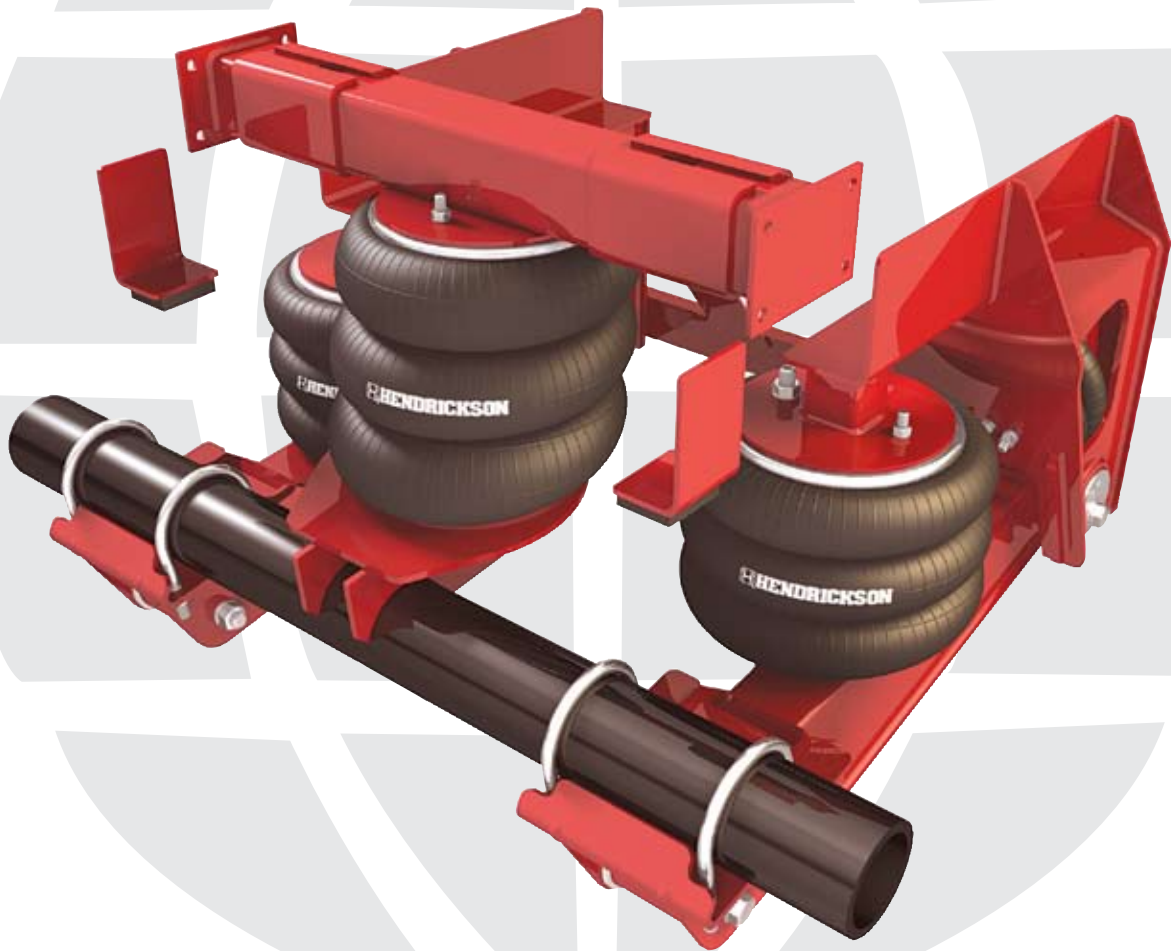
---

---

# Hendrickson Auxiliary

---

---



NJ Phone: (800) 225-1845 🌐 (856)-488-1800 🌐 Fax: (800)-360-9636 🌐 TX Phone: (800) 637-4422 🌐 Fax: (800)-360-9636

Email: [ucf@ucfamerica.com](mailto:ucf@ucfamerica.com)


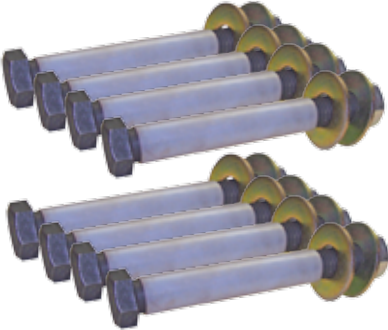

# Hendrickson Auxiliary Parts

<p><b>HT-A6914</b> Pivot Bushing Kit, Welded Alignment</p>  <p>(Flagg HT207, Dayton Parts 334-658)</p>	<p><b>HT-S2770</b> Alignment Collar, Welded Alignment</p>  <p>(Flagg HT208, Dayton Parts 334-822)</p>	<p><b>HT-S20701</b> Axle Spacer</p>  <p>(Flagg HT213, Dayton Parts 334-1137)</p>
---	--	---

<p><b>HT-S20924</b> Inner Washer, Flanged</p>  <p>(Flagg HT244, Dayton Parts 334-1574)</p>	<p><b>HT-S20925</b> Eccentric Washer, Flanged</p>  <p>(Flagg HT243, Dayton Parts 334-1573)</p>	<p><b>HT-S21099</b> Bushing Tube Spacer</p>  <p>(Flagg HT212, Dayton Parts 334-898)</p>
---	---	--

<p><b>HT-001347</b> Air Spring</p> 	<p><b>HT-002006-1(LH)</b> <b>HT-002006-2(RH)</b> Z Beam Assembly</p>  <p>(Dayton Parts 338-1969, 338-1970)</p>	<p><b>HT-002237</b> Service Kit, Para-Lift Bushing</p>  <p>(Flagg HTS100)</p>
--	---	--

<p><b>HT-003200</b> King Pin</p>  <p>(Dayton Parts 300-101A)</p>	<p><b>HT-003270</b> King Pin Bushing Kit</p>  <p>(Flagg HTS101)</p>	<p><b>HT-004645</b> Air Spring</p> 
---	--	--

<p><b>HT-005079</b> Air Spring</p> 	<p><b>HT-A14488</b> Pivot Bolt Kit</p>  <p>(Dayton Parts 344-1862)</p>	<p><b>HT-A14496</b> Steerable Lift Axle Shock</p>  <p>(Flagg M66502)</p>
--	---	---

<p><b>HT-004672-1</b> <b>HT-004672-2</b> HLR2 Beam Assembly</p> 	<p><b>HT-004689</b> HLR2 Pivot Bolt Kit</p> 	<p><b>HT-007668</b> Replacement Axle Seat Bolt Kit</p> 
---	--	--

<p><b>HT-A14506</b> Plastic Line- 5" Long</p>  <p>(Dayton Parts 334-1877)</p>	<p><b>HT-B14495</b> Wear Washer</p>  <p>(Dayton Parts 334-1589)</p>	<p><b>HT-HLK-NS0-02</b> Air Kit Lift Axle</p> 
--	--	---

<p><b>HT-HLK-NSI-01</b> Control Panel</p> 	<p><b>HT-R004665-1</b> <b>HT-R004665-2</b> HLR2 Hanger Bracket Assembly</p> 	<p><b>HT-R004933</b> Z Beam Assembly</p> 
---	--	--