

1025 Busch Highway 🌐 Pennsauken, New Jersey 08110

1120 Eden Road, Suite 100 🌐 Arlington, Texas 76001



Spindles

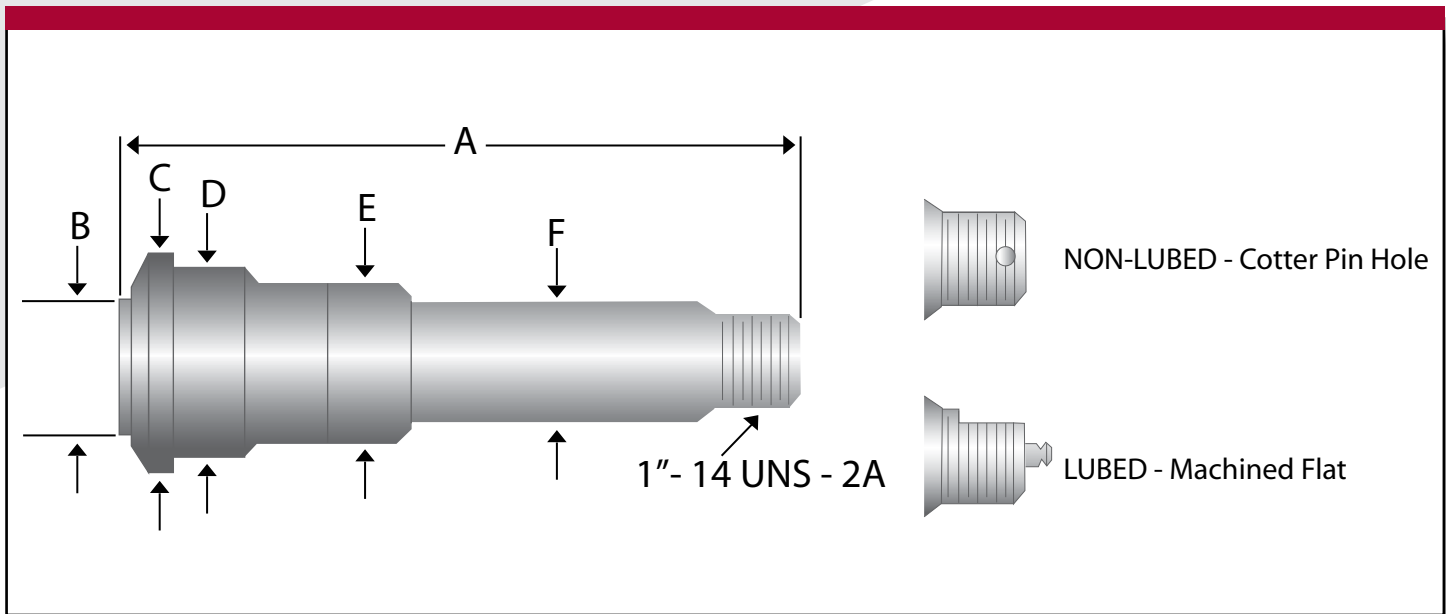
Measurement Guide



NJ Phone: (800) 225-1845 🌐 (856)-488-1800 🌐 Fax: (800)-360-9636 🌐 TX Phone: (800) 637-4422 🌐 Fax: (800)-360-9636

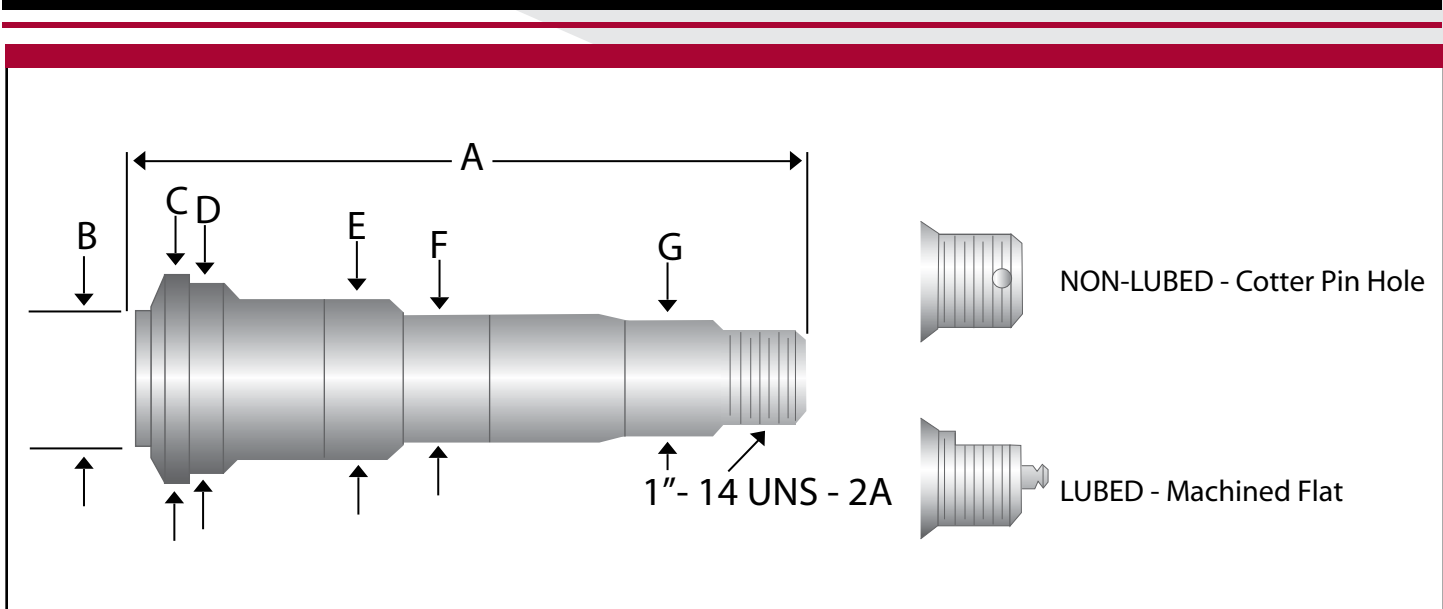
Email: ucf@ucfamerica.com

STRAIGHT SPINDLES - BUTTWELD



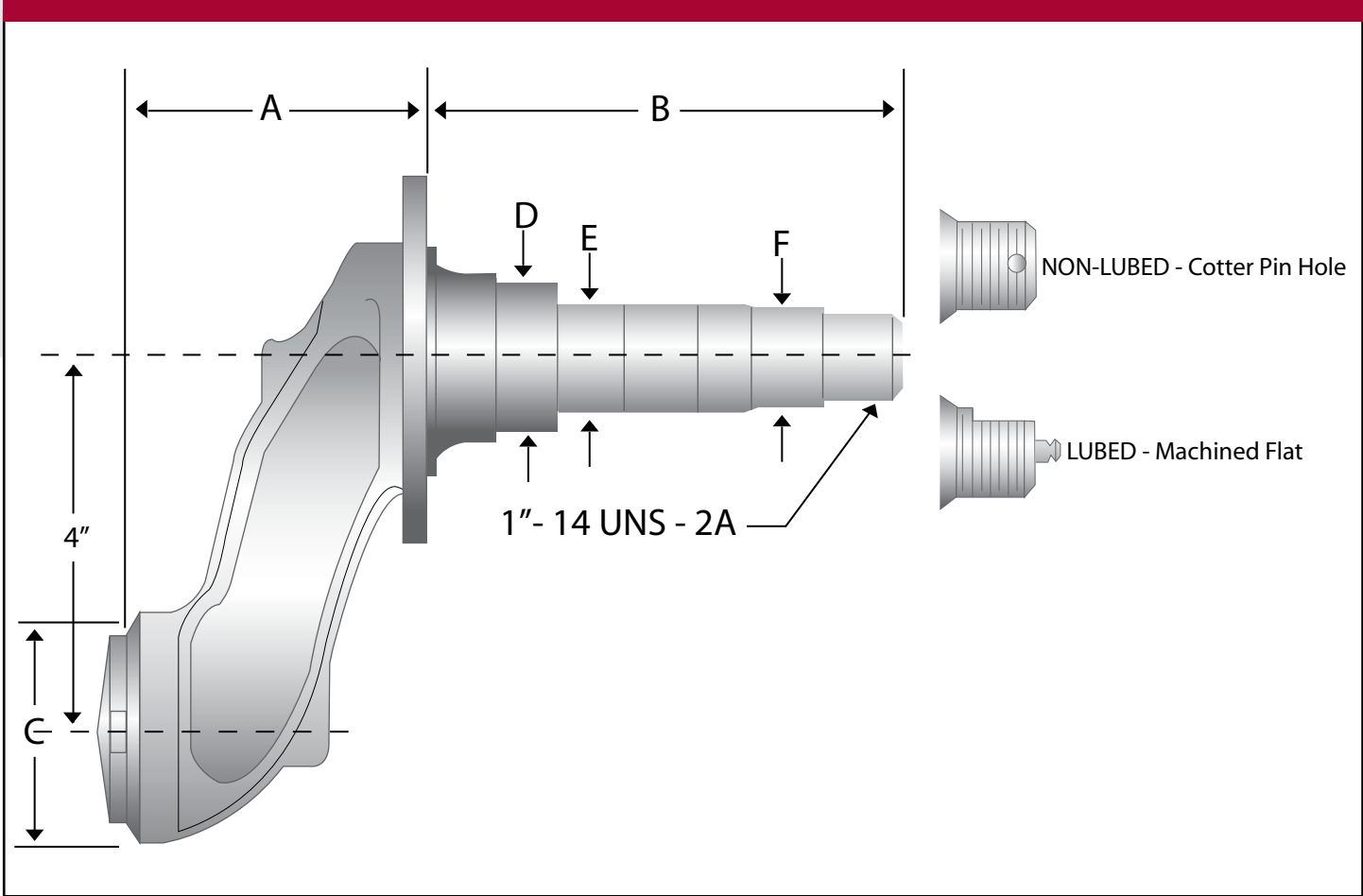
PART NO.	TYPE	CAPACITY* (lbs)	_____						BEARING INNER/OUTER
			A	B	C	D	E	F	
BT-1250S	BT8 NON-LUBED	1000	5.65	1.31	1.63	1.63	1.230	0.999	L44643 L44643
BT-1250L	BT8 NON-LUBED	1000	6.26	1.31	1.71	1.62	1.230	0.999	L44643 L44643
385-14	BT16 NON-LUBED	1250	5.30	1.35	1.75	N/A	1.250	1.062	L44649 L44649
385-14A	BT16 LUBED	1250	5.30	1.35	1.75	N/A	1.250	1.062	L44649 L44649
388 A	BT16 LUBED	1250	6.56	1.35	1.74	1.635	1.500	1.062	L44649 L44649
388 B	BT16 NON-LUBED	1250	6.56	1.35	1.74	1.635	1.500	1.062	L44649 L44649

STRAIGHT SPINDLES - BUTTWELD



PART NO.	TYPE	CAPACITY* (lbs)	CAPACITY*						CAPACITY*	
			A	B	C	D	E	F/G	F/G	
TT-1750	#84 NON-LUBED	1750	5.87	1.88	2.34	2.270	1.720	1.376	L68149 L44649	
389 A	#84 LUBED	1750	6.25	1.90	2.37	2.270	1.720	1.376	L68149 L44649	
389 B	#84 NON-LUBED	1750	6.25	1.90	2.37	2.270	1.720	1.376	L68149 L44649	
HF8455	#84 NON-LUBED	1750	6.30	2.57	3.00	2.270	1.720	1.376	L68149 L44649	
HF8455L	#84 LUBED	1750	6.30	2.57	3.00	2.270	1.720	1.376	L68149 L44649	
UT-3000L	#42 NON-LUBED	3500	8.20	2.44	3.00	2.585	2.125	1.750	25580 LM67048, 14125A, 15123	
466 A	#42 NON-LUBED	3500	8.20	2.46	3.00	2.750	2.250	1.750	25580 LM67048, 14125A, 15123	
466 B	#42 LUBED	3500	8.20	2.46	3.00	2.750	2.250	1.750	25580 LM67048, 14125A, 15123	
334	#42 SHORT NON-LUBED	3500	5.50	2.44	3.00	N/A	2.250	1.750	25580 LM67048, 14125A, 15123	
334-MXL	#42 SHORT-LUBED	3500	5.50	2.44	3.00	N/A	2.250	1.750	25580 LM67048, 14125A, 15123	

FORGED DROP SPINDLES - BUTTWELD



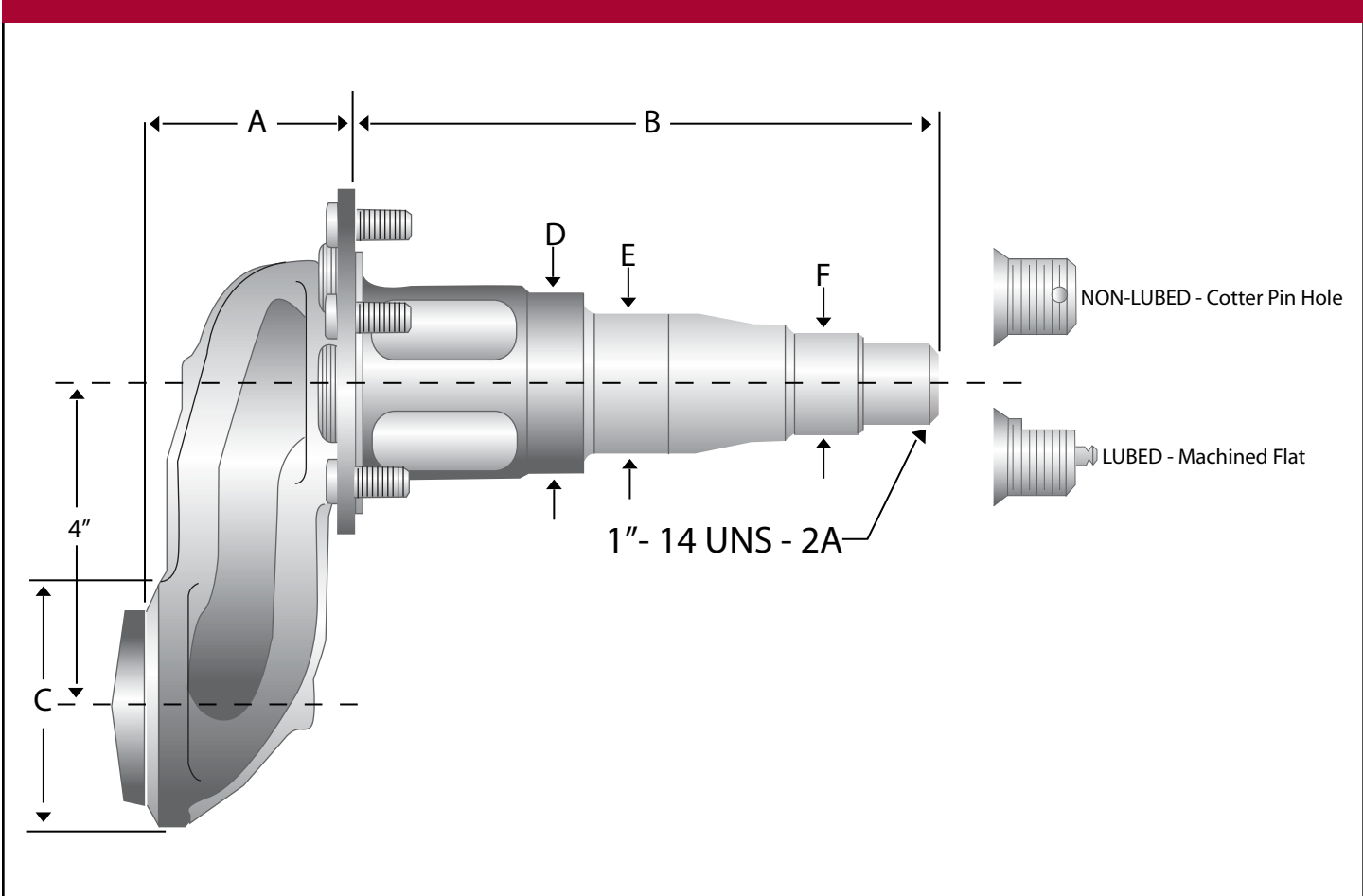
PART NO.	TYPE	CAPACITY* (lbs)	BEARING					INNER/OUTER
			A	B	C	D	E/F	
UNA-504-01	2-132 W/O FLANGE, NON-LUBED , D-FLAT	1750	2.52	5.38	2.38	1.720	1.376 1.062	L68149 L44649
UNA-504-02	2-132 W/ FLANGE, NON-LUBED , D-FLAT	1750	2.52	5.38	2.38	1.720	1.376 1.062	L68149 L44649
UNA-504-03	2-132 W/ FLANGE, LUBED	1750	2.52	5.38	2.38	1.720	1.376 1.062	L68149 L44649

*Please note the UNA-504 spindles fit 2 3/8 tubing.

PART NO.	TYPE	CAPACITY* (lbs)	BEARING					INNER/OUTER
			A	B	C	D	E/F	
TT175AFZ-02	#84 , "H" AXLE W/ FLANGE, NON-LUBED	1750	2.52	5.38	3.00	1.720	1.376 1.062	L68149 L44649
TT175AFZ-02L	#84 , "H" AXLE W/ FLANGE, LUBED	1750	2.52	5.38	3.00	1.720	1.376 1.062	L68149 L44649

*Please note: The TT175AFZ-02 & TT17AFZ-02L fit 3" tubing

FORGED DROP SPINDLES - BUTTWELD



PART NO.	TYPE	CAPACITY* (lbs)	_____					BEARING INNER/OUTER
			A	B	C	D	E/F	
UT-300-M	#42	3500	2.63	7.20	3.00	2.249	1.750	25580
	W/ FLANGE, NON-LUBED						1.250	LM67048, 14125A, 15123
UT-300-ALM	#42	3500	2.63	7.20	3.00	2.249	1.750	25580
	W/ FLANGE, LUBED						1.250	LM67048, 14125A, 15123

The information contained on this page is intended to aid in identification of available spindles. It is not intended for design purposes.

* The capacities, as shown above, represent the capacity of a single spindle and should be doubled to obtain the axle capacity.

